

ISO15552 Pneumatic Cylinder
SERIES ISO15552 standard cylinder
Bore 32 - 125mm
Stroke 25- 1000 mm



Features

- ISO15552 standard cylinder wide use in automatic industry. The standard size can fit in many install space
- Special design in air cushion to reduce buffering and increasing product life.
- TPU cushion has excellent material characteristics, and it can withstand high frequency action.
- Internal wall adopts special processing technology with the only 3-5 μm thickness of an anti-wear coating, providing little attrition friction, low start pressure and long service life.



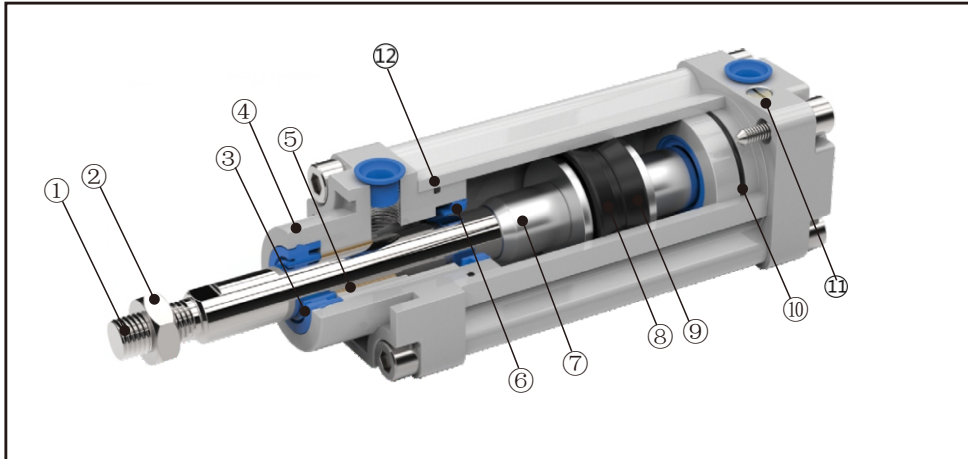
Product Information

| Bore | 32 | 40 | 50 | 63 | 80 | 100 | 125 |
|-----------------------|---|------|------|------|----|-----|-----|
| Operation | Double Acting | | | | | | |
| Working Medium | Air (to be filtered by 40 μm filter element) | | | | | | |
| Mountings | Basic FA FB CA CB LB | | | | | | |
| Operating Pressure | 0.1 ~ 0.9 Mpa | | | | | | |
| Proof Pressure | 1.35 Mpa | | | | | | |
| Operating Temperature | - 20 ~ 70 °C | | | | | | |
| Operating Speed | 50 ~ 800 mm/s | | | | | | |
| Cushion | Adjustable Cushion | | | | | | |
| Port Size | 1/8" | 1/4" | 3/8" | 1/2" | | | |

Specifications

| Bore | Standard Stroke | | | | | | | | | | | | | | | | Max. Stroke | Allowable Stroke | | | | | |
|------|-----------------|----|----|----|-----|-----|-----|-----|-----|-----|-----|-----|-----|-----|-----|-----|-------------|------------------|-----|------|------|------|------|
| 32 | 25 | 50 | 75 | 80 | 100 | 125 | 150 | 160 | 175 | 200 | 250 | 300 | 350 | 400 | 450 | 500 | 1000 | 2000 | | | | | |
| 40 | 25 | 50 | 75 | 80 | 100 | 125 | 150 | 160 | 175 | 200 | 250 | 300 | 350 | 400 | 450 | 500 | 600 | 700 | 800 | 1200 | 2000 | | |
| 50 | 25 | 50 | 75 | 80 | 100 | 125 | 150 | 160 | 175 | 200 | 250 | 300 | 350 | 400 | 450 | 500 | 600 | 700 | 800 | 900 | 1000 | 1200 | 2000 |
| 63 | 25 | 50 | 75 | 80 | 100 | 125 | 150 | 160 | 175 | 200 | 250 | 300 | 350 | 400 | 450 | 500 | 600 | 700 | 800 | 900 | 1000 | 1500 | 2000 |
| 80 | 25 | 50 | 75 | 80 | 100 | 125 | 150 | 160 | 175 | 200 | 250 | 300 | 350 | 400 | 450 | 500 | 600 | 700 | 800 | 900 | 1000 | 1500 | 2000 |
| 100 | 25 | 50 | 75 | 80 | 100 | 125 | 150 | 160 | 175 | 200 | 250 | 300 | 350 | 400 | 450 | 500 | 600 | 700 | 800 | 900 | 1000 | 1500 | 2000 |
| 125 | 25 | 50 | 75 | 80 | 100 | 125 | 150 | 160 | 175 | 200 | 250 | 300 | 350 | 400 | 450 | 500 | 600 | 700 | 800 | 900 | 1000 | 1500 | 2000 |

Internal Structure:



| No. | Comopnent Description | No. | Comopnent Description |
|-----|-----------------------|-----|-------------------------|
| 1 | Piston Rod | 8 | Y type seal |
| 2 | Hexagon nut | 9 | Magnet |
| 3 | Shaft seal | 10 | O-ring seal |
| 4 | Front cover | 11 | Cushion adjusting screw |
| 5 | Dust scraping ring | 12 | Square barrel |
| 6 | Anti-crash pad | | |
| 7 | Piston ring | | |

Ordering Code

| | | | | | | | | | | | | | | | | | |
|--|----------|----------|---|-----------|----------|----------|----------|----------|-----|---------------|---|-------------|--|--------------|--------------|--------------|--------------|
| D | N | C | / | 5 | 0 | X | 5 | 0 | - | 1 | 0 | - | S | - | C | A | |
| Series Code ISO 15552 standard cylinder | | | | Bore Size | | | Stroke | | | Adjust Stroke | | | Magnet | | | | |
| Series Code Blank: standard double cylinder D: double-shaft double cylinder J: double-shaft with adjustable stroke | | | | 32 | 40 | 50 | 63 | 80 | 100 | 125 | 25 - 500 mm | 25 - 800 mm | 25 - 1000 mm | 25 - 1000 mm | 25 - 1000 mm | 25 - 1000 mm | 25 - 1000 mm |
| | | | | | | | | | | | 10 | 20 | 30 | 50 | 75 | 100 | |
| | | | | | | | | | | | Magnet Blank: without magnet S: with magnet | | Blank: basic type LB: front and back fixed type FA: front cover fixed type (flange type) FB: back cover fixed type (flange type) CA: Back cover male clevis CB: Back cover female clevis with Pin TC: swinging type TCM: swinging type attaching seat | | | | |

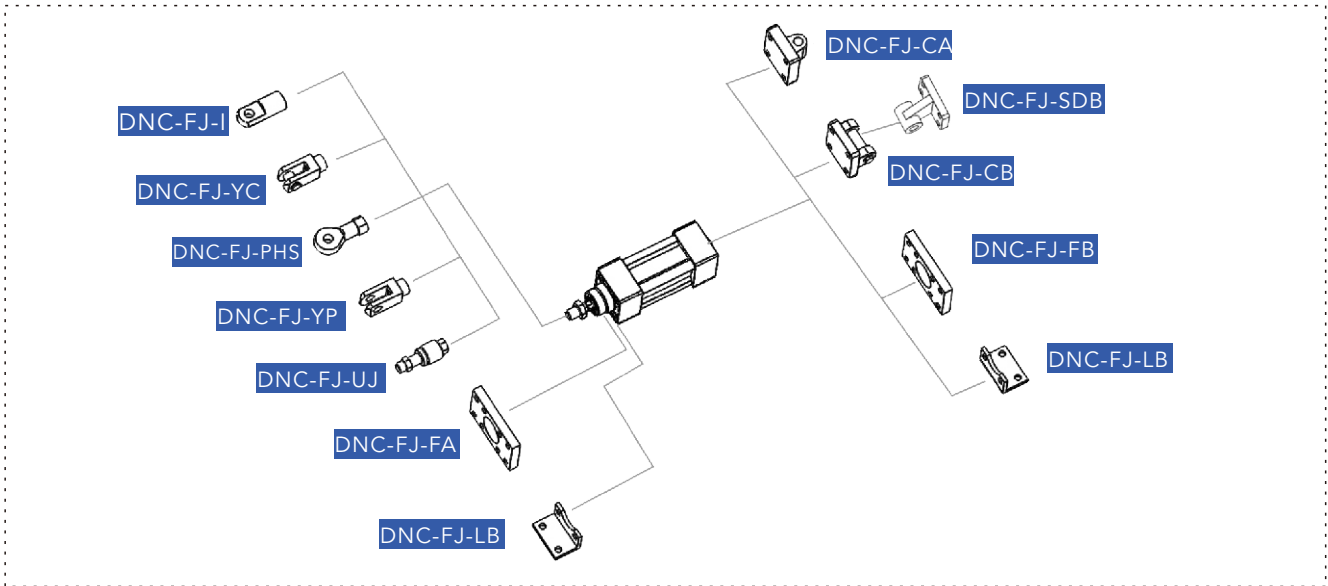
Ordering Example:

ISO15552 standard cylinder , 50 bore size, 50 stroke size, with magnet, and front and back fixed type
SENYA part# [DNC50X50-S-LB](#)

ISO15552 Pneumatic Cylinder
SERIES ISO15552 standard cylinder
Bore 32 - 125mm
Stroke 25- 1000 mm

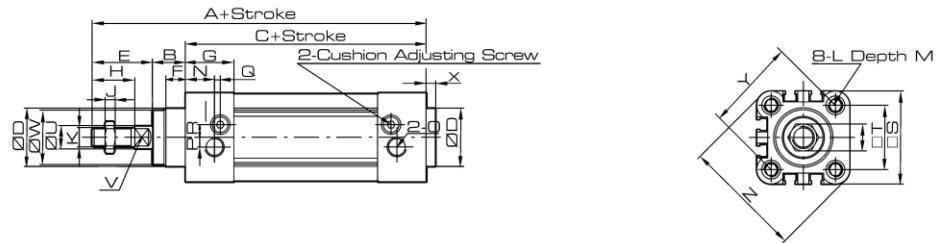


Product Accessories:

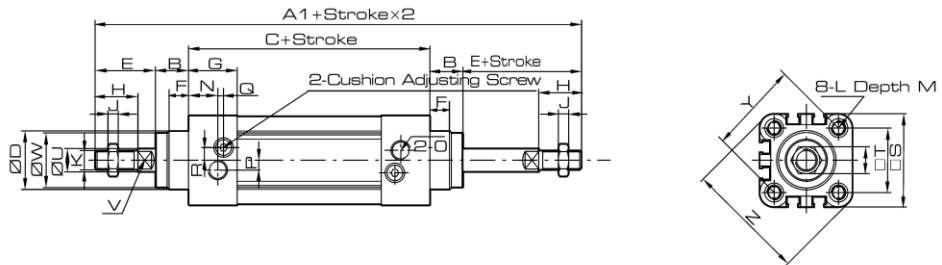


Product Dimensions :

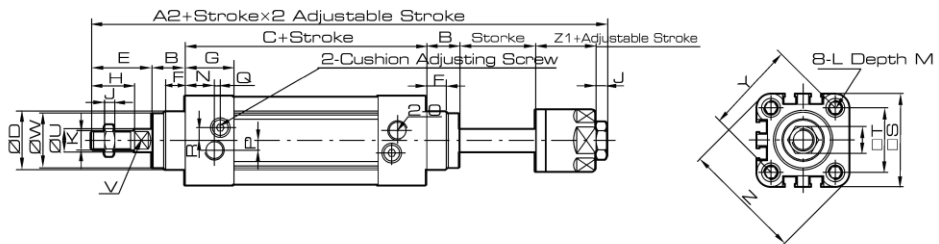
DNC:



DNCD:



DNCJ:





Pneumatic Cylinder ISO15552 standard cylinder

Bore 32 - 125mm
Stroke 25- 1000 mm

ISO15552
SERIES
DNC

Pneumatic
Cylinder

Dimensions Chart :

| Bore | A | A1 | A2 | B | C | D | E | F | G | H | I | J | K | L |
|------|-----|-----|-----|----|-----|----|------|----|------|----|----|----|----------|-----|
| 32 | 142 | 190 | 185 | 16 | 94 | 30 | 33 | 10 | 25 | 22 | 17 | 6 | M10x1.25 | M6 |
| 40 | 159 | 213 | 207 | 20 | 105 | 35 | 34 | 10 | 29.5 | 24 | 17 | 7 | M12x1.25 | M6 |
| 50 | 175 | 244 | 233 | 27 | 106 | 40 | 42.5 | 10 | 32 | 32 | 23 | 8 | M16x1.5 | M8 |
| 63 | 190 | 258 | 247 | 26 | 122 | 45 | 42 | 10 | 36 | 32 | 23 | 8 | M16x1.5 | M8 |
| 80 | 214 | 301 | 288 | 35 | 126 | 45 | 53 | 10 | 37 | 40 | 26 | 10 | M20x1.5 | M10 |
| 100 | 229 | 321 | 308 | 40 | 137 | 55 | 52 | 10 | 39 | 40 | 26 | 10 | M20x1.5 | M10 |
| 125 | 277 | 394 | 378 | 46 | 160 | 60 | 71 | 10 | 43.5 | 54 | 40 | 10 | M27x2 | M12 |

| Bore | M | N | O | P | Q | R | S | T | U | V | W | X | Y | Z | Z1 |
|------|----|------|------|----|---|-----|-----|------|----|----|------|---|-------|-------|----|
| 32 | 12 | 15 | G1/8 | 5 | 3 | 6.5 | 45 | 32.5 | 12 | 10 | 28 | 4 | 46 | 59 | 21 |
| 40 | 12 | 17.5 | G1/4 | 7 | 3 | 7 | 52 | 38 | 16 | 13 | 33 | 4 | 53.7 | 68.0 | 21 |
| 50 | 12 | 20 | G1/4 | 7 | 3 | 9 | 65 | 46.5 | 20 | 17 | 38 | 4 | 65.8 | 84.5 | 23 |
| 63 | 12 | 22 | G3/8 | 8 | 5 | 9 | 76 | 56.5 | 20 | 17 | 38 | 4 | 79.9 | 99.6 | 23 |
| 80 | 15 | 23 | G3/8 | 10 | 5 | 12 | 94 | 72 | 25 | 22 | 43.5 | 5 | 101.8 | 123.8 | 29 |
| 100 | 15 | 26 | G1/2 | 10 | 5 | 14 | 112 | 89 | 25 | 22 | 47 | 6 | 125.9 | 148.9 | 29 |
| 125 | 20 | 29 | G1/2 | 10 | 5 | 14 | 134 | 110 | 32 | 27 | 53 | 7 | 156.9 | 179.6 | 41 |



Pneumatic Cylinder
ISO15552 standard cylinder
 Bore 32 - 125mm
 Stroke 25- 1000 mm

ISO15552
SERIES
DNC

Pneumatic
 Cylinder

Dimensions Chart :

| Bore | A | A1 | A2 | B | C | D | E | F | G | H | I | J | K | L |
|------|-----|-----|-----|-----|-----|----|----|----|------|----|----|----|----------|-----|
| 32 | 140 | 187 | 182 | 47 | 93 | 28 | 32 | 15 | 27.5 | 22 | 17 | 6 | M10×1.25 | M6 |
| 40 | 141 | 191 | 185 | 48 | 93 | 32 | 34 | 15 | 27.5 | 24 | 17 | 7 | M12×1.25 | M6 |
| 50 | 150 | 207 | 196 | 57 | 93 | 38 | 42 | 15 | 27.5 | 32 | 23 | 8 | M16×1.5 | M6 |
| 63 | 153 | 210 | 199 | 57 | 96 | 38 | 42 | 15 | 27.5 | 32 | 23 | 8 | M16×1.5 | M8 |
| 80 | 183 | 258 | 243 | 75 | 108 | 47 | 54 | 21 | 33 | 40 | 26 | 10 | M20×1.5 | M10 |
| 100 | 189 | 264 | 249 | 75 | 114 | 47 | 54 | 21 | 33 | 40 | 26 | 10 | M20×1.5 | M10 |
| 125 | 226 | 330 | 313 | 104 | 122 | 55 | 70 | 34 | 33 | 54 | 40 | 10 | M27×2 | M12 |

| Bore | M | N | O | P | Q | R | S | T | V | W | Z |
|------|------|------|------|-----|-----|-----|-----|-----|----|----|----|
| 32 | 9.5 | 13.5 | G1/8 | 3.5 | 7.5 | 7 | 45 | 33 | 12 | 10 | 21 |
| 40 | 9.5 | 1.5 | G1/4 | 6 | 8.2 | 9 | 50 | 37 | 16 | 14 | 21 |
| 50 | 9.5 | 13.5 | G1/4 | 8.5 | 8.2 | 9 | 62 | 47 | 20 | 17 | 23 |
| 63 | 9.5 | 13.5 | G3/8 | 7 | 8.2 | 8.5 | 75 | 56 | 20 | 17 | 23 |
| 80 | 11.5 | 16.5 | G3/8 | 10 | 9.5 | 14 | 94 | 70 | 25 | 22 | 29 |
| 100 | 11.5 | 16.5 | G1/2 | 11 | 9.5 | 14 | 112 | 84 | 25 | 22 | 29 |
| 125 | 15.5 | 16.5 | G1/2 | 10 | 10 | 11 | 140 | 110 | 32 | 27 | / |